

	Black	Red	Blue	White	Yellow	Brown
SEC 3000	1	2	3	4	N/A	N/A
SEC IREvolution	1	2	3	4	N/A	N/A
SEC Millenium	1	2	3	4	N/A	N/A
SEC Signature	1	2	3	4	N/A	N/A
SEC Signature DIR	1	2	3	4	5	6
	-	+	Analog Out	Comm	Analog Out	Pressure Comp

REVISIONS			
REV.	DESCRIPTION	DATE	ECO
1	INITIAL ENGINEERING RELEASE	9/5/2017	-

D

D

C

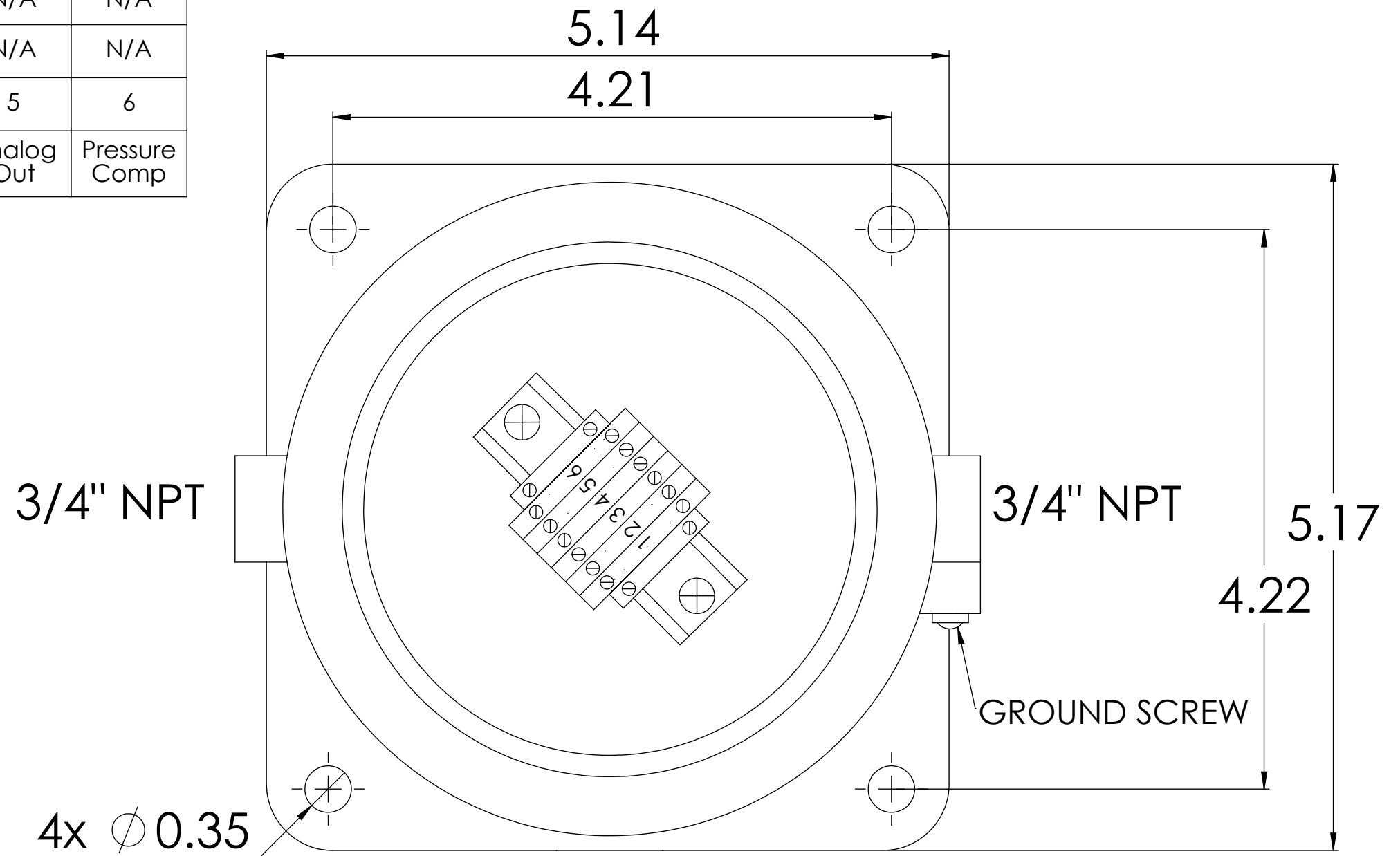
C

B

B

A

A



## NOTES:


## 1. RATINGS:

Class I, Div I Groups B, C & D  
Ex d IIC GB

## 2. TERMINALS: 6

## 3. HEIGHT: 4.11" COVER INSTALLED

4. GROUND SCREW ALSO  
LOCATED UNDER TERMINAL  
BLOCK

APPROVALS:		UNLESS OTHERWISE SPECIFIED:		NAME	DATE	 Sensor Electronics Corp. 12730 Creek View Ave Savage, Minnesota 55378		
SCHEMATIC		DIMENSIONS ARE IN INCHES		DRAWN	J.ECKLEIN		9/2017	
PWB RAW		TOLERANCES:		CHECKED				
CERT DWG		FRACTIONAL ±		MFG APPR.				
CERT DWG 2		ANGULAR: MACH ±1° BEND ±		Q.A.				
NEXT ASSY		TWO PLACE DECIMAL ±.010		<b>PROPRIETARY AND CONFIDENTIAL</b> THE INFORMATION CONTAINED IN THIS DRAWING IS THE SOLE PROPERTY OF SENSOR ELECTRONICS CORP. ANY REPRODUCTION IN PART OR AS A WHOLE WITHOUT THE WRITTEN PERMISSION OF SENSOR ELECTRONICS CORP. IS PROHIBITED.		TITLE:		
USED ON		THREE PLACE DECIMAL ±.005				SIZE	DWG. NO.	REV
APPLICATION		FINISH				B	1901006T	1
		DO NOT SCALE DRAWING		SCALE: 1:1		WEIGHT:		
						SHEET 1 OF 1		

8

7

6

5

4

3

2

1