

SEC *Signature* Process Gas Analyzer



Instruction and Operation Manual

Sensor Electronics Corporation
12730 Creek View Avenue
Savage, Minnesota 55378 USA
(952) 938-9486 Fax (952) 938-9617
email sales@sensorelectronics.com or www.sensorelectronics.com

Sensor Electronics Corporation

Sensor Electronics Corporation (SEC) is an innovative manufacturer of fixed system gas detection equipment, for combustible gases, oxygen and toxic gases.

Commitment

Our quality and service are uncompromising. We back each of our products with a two-year warranty on all materials and workmanship. We offer technical support, user training and on-site service and maintenance of equipment to meet the needs of our customers.

Gas Detection Service

Individually designed maintenance packages are available for specific customer needs. Service begins with verification of the system installation that includes an initial system check and calibration. We then offer customer training programs (on-site and at factory) to insure that technical personnel fully understand operation and maintenance procedures. When on-the-spot assistance is required, service representatives are available to handle any questions or problems immediately.

Warranty

Sensor Electronics Corporation (SEC) warrants products manufactured by SEC to be free from defects in workmanship and materials for a period of two (2) years from date of shipment from the factory. Any parts returned freight pre-paid to the factory and found defective within the warranty would be repaired or replaced, at SEC's option. SEC will return repaired or replaced equipment pre-paid lowest cost freight. This warranty does not apply to items, which by their nature are subject to deterioration or consumption in normal service. Such items may include:

Fuses and Batteries.

Warranty is voided by abuse including rough handling, mechanical damage, alteration or repair. This warranty covers the full extent of SEC liability and SEC is not responsible for removal, replacement costs, local repair costs, transportation costs or contingent expenses incurred without prior written approval. Sensor Electronics Corporation's obligation under this warranty shall be limited to repair or replacement of any product that has been returned to Sensor Electronics Corporation for warranty consideration. This warranty is expressly in lieu of any and all other warranties expressed or implied, and all other obligations or liabilities on the part of Sensor Electronics Corporation including but not limited to, the fitness for a particular purpose. In no event shall Sensor Electronics Corporation be liable for direct, incidental, or consequential loss or damage of any kind connected with the use of its products or failure to function or operate properly.

Year 2000 Compliance

All Sensor Electronics products have been tested and are certified by Sensor Electronics to accurately process date/time and date/time related data from, into and between the 20th and 21st centuries. Sensor Electronics products neither contain nor create any logical or mathematical inconsistency, will not malfunction, and will not cease to function when processing date/time data.

Please contact Sensor Electronics for further information.

Table of Contents

- I. SPECIFICATIONS
 - Declaration of Conformity
- II. GENERAL DESCRIPTION
 - Features
 - Theory of Operation
- III. INSTALLATION
 - Mechanical
 - Electrical
- IV. CALIBRATION / OPERATION
 - Zeroing
 - Warm Up
 - Normal
 - Spanning
 - Calibration Certification
- V. PARTS LIST
- VI. DRAWING SECTION
 - Figure 1 Overall Layout
 - Figure 2 Wiring Diagram
 - Figure 3 Block Wiring Diagram
 - Figure 4 Mechanical Diagram
 - Figure 5 Sensor Separation Kit

I. SPECIFICATIONS

Model: SEC Signature Process Gas Analyzer
CO2 P/N 142-0848
Hydrocarbon P/N 142-1014
Ethylene Oxide P/N 142-0597

Range (adjustable)

CO2 0-100%Vol Max.
Hydrocarbon 0-100%Vol Max.
Ethylene Oxide 0-2000mg/liter Max.

Detection Method: Infrared Optical/ Diffusion

Construction: Housing is anodized aluminum with sapphire windows.

Rating: Class 1, Division 1, Groups B, C and D,
CSA (Canadian Standards Association)

RFI/EMI Protection: EN-50081-1
EN-50082-1

Accuracy: +/- 5% measured value or +/- 3% full scale (whichever greater)

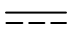
Repeatability: +/- 3%

Operating Temperature Rating:

-40° to +70°C at 0 to 99% RH (non-condensing)

Operating Pressure: 1PSIA – 55PSIA

Altitude: 0 - 2000 Meters

Operating Voltage: 24 VDC  Operating range 18 to 32 VDC measured at the detector head.

Output (analog): 4-20 mA (Non-isolated, sourcing), 1000 Ohm load (Max.) at 24 VDC supply voltage.

Output (digital): Interactive PC Link

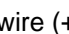
Average Power Consumption at 24 VDC: 6 watts

Current Draw at 24 VDC: 250 mA (average)
450 mA (peak)

Mechanical connection: 3/4" NPT male

Electrical connection: 3/4" NPT male

Weight: 18 ounces

Wire Connections: Red wire (+ 24 VDC) 
Black wire (D.C. common)
Blue wire (4-20 mA output signal)
White wire (Calibration / digital interface)

Installation Category: Cat. I, Pollution Degree 2

Approvals: CSA/NRTL Class 1, Div 1, Groups B,C,&D (-40C to 50C)

Declaration of Conformity

Sensor Electronics Corporation
5500 Lincoln Drive
Minneapolis, Minnesota 55436 USA
Telephone: 952.938.9486
Fax: 952.938.9617
Email: sensor@minn.net

Type of Equipment: SEC Signature Process Analyzer
SEC IR PC Link

Model Number: SEC Signature Process Analyzer - Part Number 142-0597
SEC IR PC Link - Part Number 142-0636

I hereby declare that the equipment specified above conforms to the protection requirements of the **EC DIRECTIVE 89/336/EEC** on Electromagnetic Compatibility (EMC), in accordance with the provisions of the Electromagnetic Compatibility Regulations 1992.

The following standards have been applied:

EN 50081 –1
Emissions Standard (Residential Commercial and Light Industry)

EN 50082 –1
Immunity Standard (Residential Commercial and Light Industry)

Signature _____

Patrick G. Smith
Director of Engineering

Date: August 6, 2001

II. GENERAL DESCRIPTION

CONVENTIONS

The following conventions are used in this manual.



Warning Statement



VDC (DC Voltage)

The SEC Signature Process Analyzer is a microprocessor based intelligent device that continuously measures levels of gas in process applications.

The SEC Signature Process Analyzer is a stand-alone device providing a 4 to 20 mA signal corresponding to actual concentrations of the process gas being measured.

Features

- Requires minimal routine calibration to ensure proper operation.
- Continuous self-test automatically indicates a fault, with fail to safe operation.
- A multi-layered filtering system protects optics from dirt and water ingress.
- Straight optical path eliminates the need for mirrors, reflective surfaces or beam splitters thereby increasing the stability and reducing the maintenance of the device.
- Discourages condensation interference by internally heating optical chamber.
- Standard 4 to 20 mA output (current sourcing).
- Explosion proof housing designed for duty in harsh environments.
- Smart Calibration AutoAC™ circuit.
- No routine maintenance required

Theory of Operation

The SEC Signature Process Analyzer uses infrared absorption technology to identify and measure gas concentrations. Gases absorb infrared light at certain wavelengths due to molecular resonance. Since each gas has a unique molecular structure, each causes a unique light absorption signature. The Signature Process Analyzer measures light absorption at critical wavelengths and uses embedded algorithms to quantify the concentration. The SEC Signature Process Analyzer uses an infrared light source at one end of the optical path and an infrared light sensor at the opposite end. The reliable optical system and lack of delicate components such as beam splitters and mirrors make the Signature Process Analyzer very stable and robust in harsh process environments.

The SEC Signature Process Analyzer utilizes a unique Automatic Analog Control circuit, the AutoAC™ circuit (Patented). The AutoAC™ continuously makes adjustments to null out effects from temperature, component drift, dirty optics, interferences and aging. These adjustments are made according to algorithms derived from infrared gas absorption theory. The AutoAC™ circuit is continuously checking all unit operating parameters. If any parameter goes out of tolerance, the AutoAC™ circuit sets a fault code appropriate to the problem. The AutoAC™ circuit ensures that once the unit is spanned, it will remain accurate as long as the zero is accurate. Simply calibrate (span one time) the unit with a specific amount of gas and the device will accurately track in-process gas concentrations. The only ongoing calibration that is necessary is an occasional zero.

III. INSTALLATION

Mechanical

The SEC Signature Process Analyzer has a $\frac{3}{4}$ " male NPT threaded connector for installing the device on a process line. Ideally the device can be installed on the recirculation line of a chamber (see Figure 4). The device is vacuum tested at the factory to 1 inches of mercury absolute and pressure tested to 40 psi.

Electrical

The SEC Signature Process Analyzer has a $\frac{3}{4}$ " male NPT threaded connector (with 4 wires) for mounting the detector to a junction box. SEC can provide a junction box for this purpose with terminals (see Figure 5).

A user-supplied junction box can also be used, providing it has the appropriate sized NPT conduit entries. This junction box must be suitable for use in the application and location in which it is being installed.

Wiring connections

Red wire: 18 to 32 VDC \equiv
Black wire: DC negative (common)
Blue wire: 4 to 20 mA output
White wire: Smart Calibration Wire (data wire)

Refer to Figures 2 and 3 for general wiring details.

Insulator

The SEC Signature Process Gas Analyzer's internal temperature should be at least 10° F warmer than the process temperature to discourage condensation on the optical surfaces. The Signature Process Gas Analyzer is internally heated but mounting the device to a cold surface can draw significant heat from the Signature Process Gas Analyzer.

The internal temperature of the Signature Process Gas Analyzer can be monitored using the SEC IR PC LINK software package.




Before insulator is installed

If the internal temperature is not 10° F above the process temperature, a simple insulator (SEC supplied) can be installed around the Signature Process Gas Analyzer to help retain heat.



Insulator installed

IV. CALIBRATION / OPERATION

 Warning: The user shall be made aware that if the equipment is used in a manner not specified by the manufacturer, the protection provided by the equipment may be impaired.

Zeroing

Zeroing the SEC Signature Process Analyzer is the only regular calibration (maintenance) operation normally required.

SEC Signature Process Analyzer zero calibration is initiated by connecting the calibration lead (white wire) to the negative lead (DC common) of the power supply for ten (10) seconds and releasing. Although this can be accomplished manually, installation of a switch is recommended. It is recommended that this switch be a momentary type switch to prevent it from inadvertently being left in the calibrate position. The zero calibration operation is initiated at the rising edge (releasing). The zero initiation can be verified at on the 4 to 20 mA output (2.2 mA)

Note: For best accuracy, the unit should be powered up for at least 30 minutes before any calibration operation.

Current Output and Corresponding Status Table

<u>Current Output</u>	<u>Status.</u>
0-20 mA	Normal measuring mode
0.0 mA	Unit Fault
0.2 mA	Reference channel fault
0.4 mA	Analytical channel fault
0.8 mA	Unit warm up
1.0 mA	Optics fault
1.2 mA	Zero drift fault
1.6 mA	Calibration fault
2.0 mA	Unit spanning
2.2 mA	Unit zeroing
4.0 mA	Zero gas level (0%LEL)
5.6 mA	(10%LEL)
8.0 mA	(25%LEL)
12 mA	(50%LEL)
16 mA	(75%LEL)
20 mA	Full scale (100% LEL)
20.1- 23 mA	Over-range (> 100% LEL)

The 4 to 20 mA output is a non-isolated current source.

Warm-up

When power is applied to the detector, it enters a one (1) minute warm-up mode in which time it performs diagnostic checks and allows the sensor to stabilize before beginning normal operation. The current output during this period is 0.8 milliamperes. At the end of the warm-up period with no faults present, the detector automatically enters the normal operating mode. If a fault is present after warm-up, the detector current output will indicate the fault (see chart above).

Normal

In the normal operating mode, the 4 to 20 mA signal levels correspond to the detected gas concentration. The device continuously performs self-diagnostics, checks for calibration requests and outputs operating status (see table).

Spanning

Spanning is only required to establish measurement range. The span point becomes the mid range point of the SEC Signature Process Analyzer. Each Signature Process Analyzer is factory spanned but a re-span can be done under actual process conditions if required.

Spanning the SEC Signature Process Analyzer in field by connecting the SEC Signature Process Analyzer to the SEC IR PC Link (P/N 142-0636) and a computer (provided by others) running the software (provided by SEC). The software is compatible with most versions of Microsoft® Windows® 95/98/2000. During the spanning routine, the current output of the SEC Signature Process Analyzer will go to 2.0 mA.

Note: For best accuracy, the unit should be powered up for at least 30 minutes before any calibration operation.

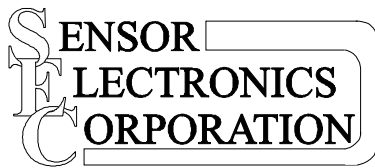
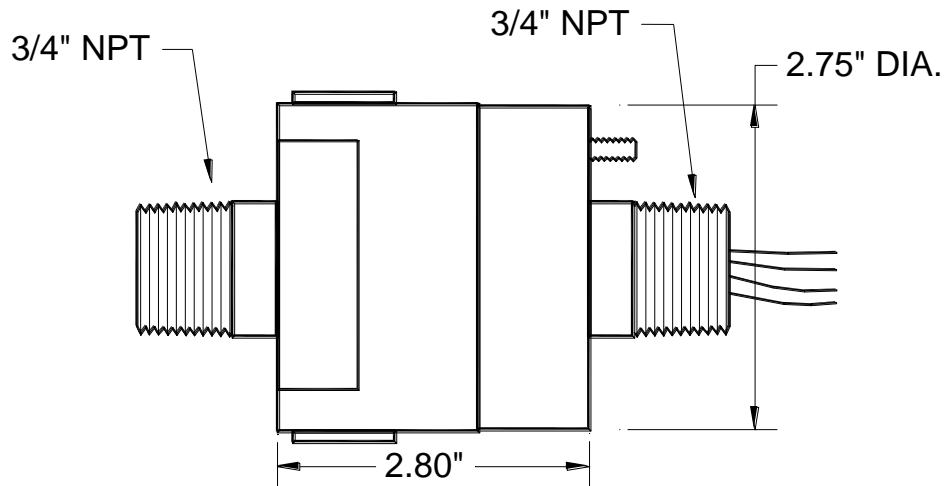
Microsoft and Windows are either trademarks or registered trademarks of Microsoft Corporation in the United States and/or other countries.

V. PARTS LIST

Part Number	Description
142-0636	SEC IR PC Link Kit
142-1022	Replacement Filter Kit
142-0876	Insulator
190-1000	SEC 2001 Explosion proof junction box

VI. DRAWING SECTION

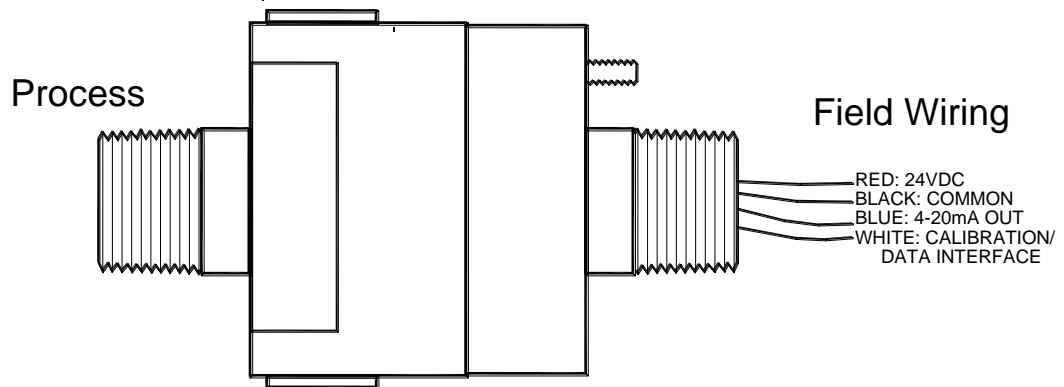
Figure #	Title
Figure 1	Overall Layout
Figure 2	Wiring Diagram
Figure 3	Block Wiring Diagram
Figure 4	Mechanical Diagram
Figure 5	Sensor Separation Kit



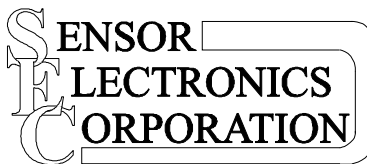
Sensor Electronics Corporation
5500 Lincoln Drive
Minneapolis, MN 55436
Tel: (952) 938-9486
Fax: (952) 938-9617
e-mail: sensor@minn.net

OVERALL LAYOUT
SEC Signature Process Analyzer

FIGURE 1



Field Wiring Connections:
Red wire (+ 24 VDC)
Black wire (D.C. common)
Blue wire (4-20 mA output signal)
White wire (Calibration / digital interface)



Sensor Electronics Corporation
 5500 Lincoln Drive
 Minneapolis, MN 55436
 Tel: (952) 938-9486
 Fax: (952) 938-9617
 e-mail: sensor@minn.net

WIRING DIAGRAM
SEC Signature Process Analyzer

FIGURE 2

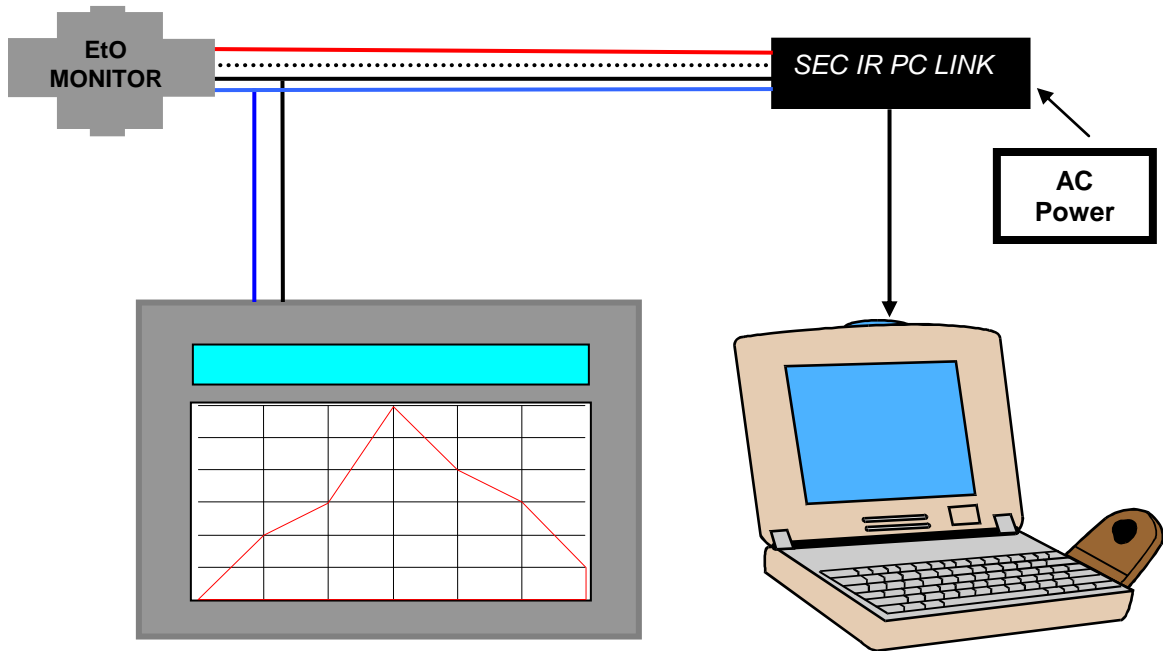
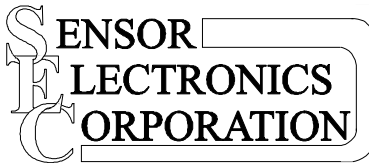


Chart Recorder
PLC, DAS, DCS, DVM
(Any control or monitoring system that accepts a 4-20 mA or 0-5 VDC signal)

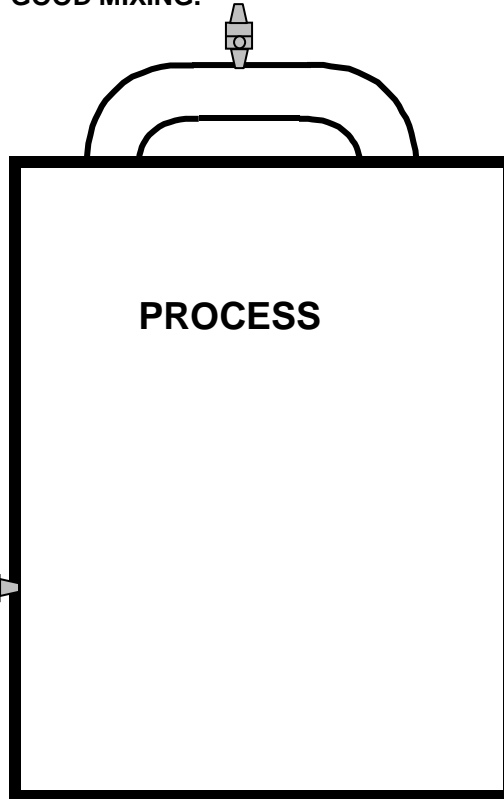


Sensor Electronics Corporation
 5500 Lincoln Drive
 Minneapolis, MN 55436
 Tel: (952) 938-9486
 Fax: (952) 938-9617
 e-mail: sensor@minn.net

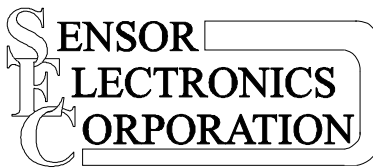
BLOCK WIRING DIAGRAM
SEC Signature Process Analyzer

FIGURE 3

RECIRCULATION SYSTEM OPTIMAL MOUNTING LOCATION. GAS FLOW ENSURES FAST RESPONSE AND GOOD MIXING.



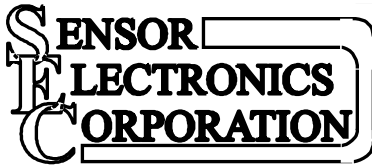
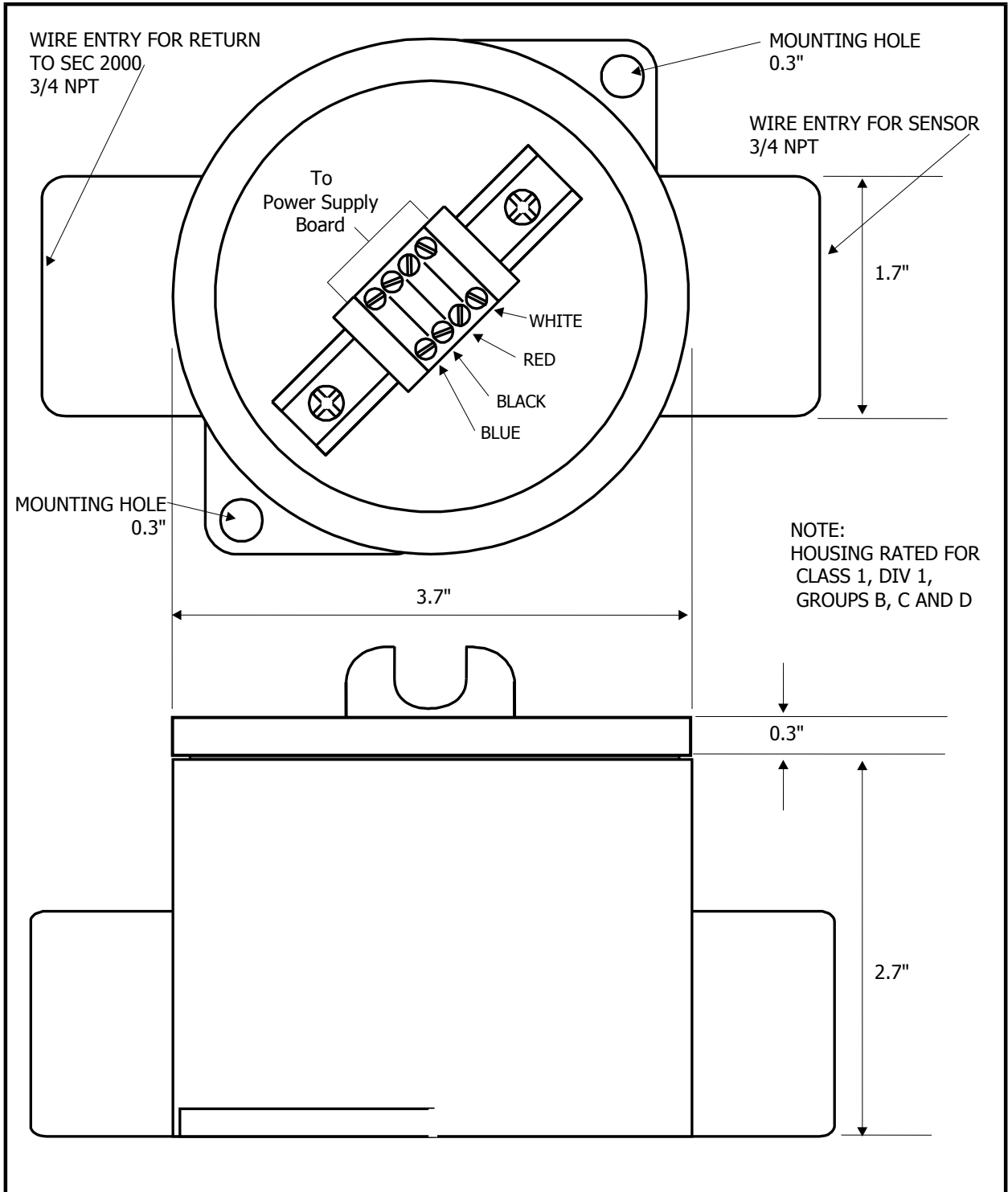
VESSEL WALL GOOD LOCATION UNLESS IN STAGNANT AREA



Sensor Electronics Corporation
5500 Lincoln Drive
Minneapolis, MN 55436
Tel: (952) 938-9486
Fax: (952) 938-9617
e-mail: sensor@minn.net

MECHANICAL
DIAGRAM

FIGURE 4



Sensor Electronics Corporation
 5500 Lincoln Drive
 Minneapolis, MN 55436
 Tel: (952) 938-9486
 Fax: (952) 938-9617
 e-mail: sensor@minn.net

SEC SENSOR SEPARATION KIT

FIGURE 5